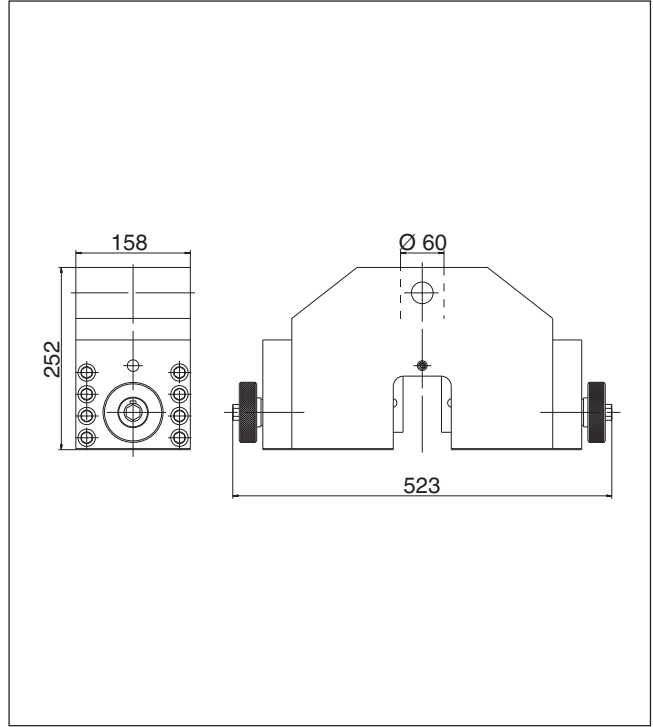
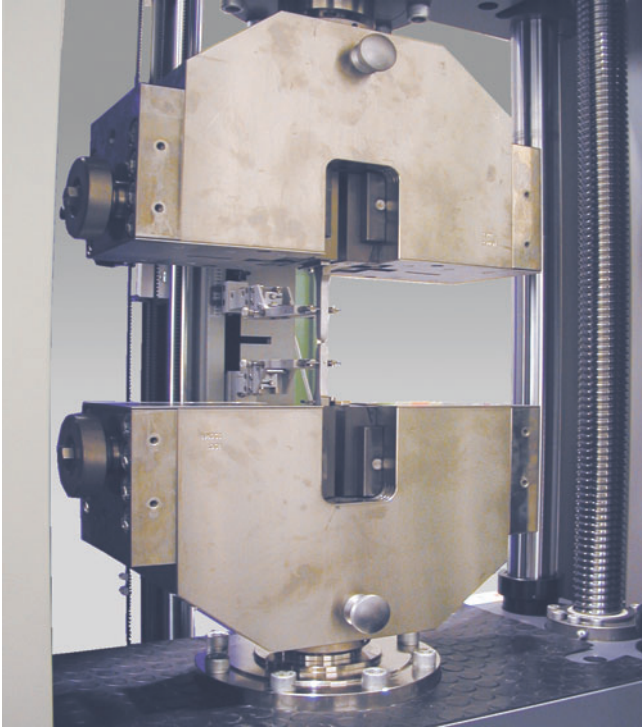


## Product Information

Manual wedge screw grips type 8507, Fmax 250 kN



### Applicational range

Specimen material: Ferrous and non-ferrous metals, hard and reinforced plastics, wood and similar materials  
Specimen shape: Round and flat specimens (strips and dumbbells)

Type of loading: Tensile load

### Operating principle and handling

These grips are a complete mechanical variant with manual opening/closing of the grips.

### Advantages/characteristics

- Synchronization can be switched on/off as required, allowing both symmetrical and asymmetrical clamping using the wedge-screw grips (e.g. when testing bonded shear specimens)
- Easily adjusted asymmetry remains as set even with re-clamping, allowing one-handed operation (left or right hand) with asymmetrical specimens also – the specimen joint is always located in the test axis
- Simple change of jaw inserts without the need of tools
- Plane jaws are equipped with a specimen stop
- With the optional mounting unit small load cells, grips, tools and test devices can be connected quickly and efficiently without the need for exchanging grips

## Product Information

### Manual wedge screw grips type 8507, Fmax 250 kN

<b>Item number</b>	<b>318596</b>
<b>Type</b>	<b>8507</b>
Fmax	250 kN
Opening/closing	manual
Gripping force at Fmax	482.5 kN
Dimensions	523 / 252 / 158 mm
Specimen gripping	The specimen must be gripped by at least 1/2 of the jaw height.
Max. opening width at symmetrical gripping	65 mm
Weight per grip (without jaws)	108 kg
Weight per jaw, approx.	2.3 kg
Connection diameter	60 mm
Temperature range	-40...+250 °C <sup>(1)</sup>
Scope of supply	1 pair

<sup>(1)</sup> The temperature range may be limited by a smaller temperature range of the jaws

#### Accessories optional

Description	Item Number
Connecting wedges with thread M28 x 1.5 for connecting mounting studs dia 8, 20, 36 mm or load cells, as well as centring dia 30 H7 for connection of mounting unit, mounting flange or mounting stud dia 60 mm. Scope of supply: 1 pair.	<b>318600</b>
Mounting stud dia. 60 mm	<b>314062</b>
Mounting unit for connecting flexure table, upper unvil holder or compression test kits	<b>314058</b>
Mounting flange (Fmax 250 kN) for connecting fluxure tables	<b>314060</b>

#### Jaws (1x required)

Scope of supply for all items: 1 set (= 4 pieces)

Applicational range	Design	Specimen thickness/dia.	Gripping area (H x W)	Temperature range	Hardness	Item number
<b>Plane jaws</b>						
Metal, wood, fibre reinforced plastics	Steel, Fsc 0.4	0 ... 64 mm	100 x 80 mm	-70...+250 °C	61 HRC	<b>318602</b>
	Steel, Fsc 0.75	0 ... 64 mm	100 x 80 mm	-70...+250 °C	61 HRC	<b>318604</b>
	Steel, Fsc 1.25	0 ... 64 mm	100 x 80 mm	-70...+250 °C	61 HRC	<b>318606</b>
Grip sensitive materials	Steel, diamond coated	0 ... 64 mm	100 x 80 mm	-70...+250 °C	-	<b>318608</b>
Hard metals	Hard metal, Pr 0.7 mm	0 ... 48 mm	80 x 50 mm	-70...+250 °C	1250 HV	<b>320034</b>
Here are required: Jaw mountings especially for these jaw inserts						<b>320036</b>
<b>Prism jaws (with V-groove)</b>						
Round specimen: metal, wood, fibre reinforced plastics	Steel, St 1.5	dia. 4 ... 10 mm	100 mm <sup>(1)</sup>	-70...+250 °C	61 HRC	<b>318610</b>
	Steel, St 1.5	dia. 10...30 mm	100 mm <sup>(1)</sup>	-70...+250 °C	61 HRC	<b>318612</b>
	Steel, St 1.5	dia. 30...60 mm	100 mm <sup>(1)</sup>	-70...+250 °C	61 HRC	<b>318614</b>
	Steel, St 1.5	dia. 40...80 mm	120 mm <sup>(1)</sup>	-70...+250 °C	61 HRC	<b>318616</b>
Round specimen: Hard metals	Hard metal, Pr 0.7 mm	dia. 4...10 mm <sup>(2)</sup>	80 mm <sup>(1)</sup> dia. 10...30 mm	-70...+250 °C	1250 HV	<b>325572</b>
Here are required: Jaw mountings especially for these jaw inserts						<b>325573</b>

Fsc = Fish scale, St = Saw tooth, Pr = Pyramid

<sup>(1)</sup> Since these are prism jaws with V-groove, we indicate here the gripping length

<sup>(2)</sup> These prism jaws have crosswise arranged V-grooves for different specimen diameters